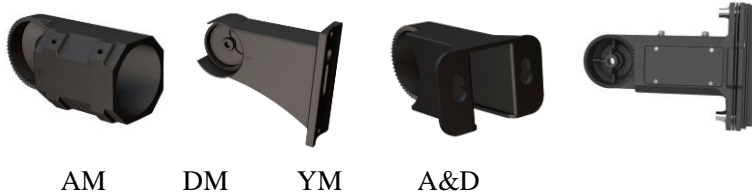




**BRIGHT LED**

E-mail: [sales@brightledtx.com](mailto:sales@brightledtx.com)

[info@brightledtx.com](mailto:info@brightledtx.com)



AM DM YM A&D

P/N: BRT-S-G07-150WCT3B1-**abcdef**

Note:

The letter "a" can be can be 2 letters represent lamp colors; "BH = Black、WH=White、BR=Brown or Customized"

The letter "b" can be "P" or blank to represent Photocell or None Photocell;

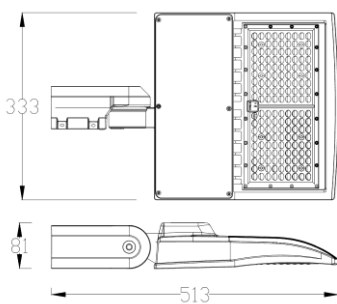
The letter "c" can be "S" or blank to represent Surge protector or None Surge protector;

The letter "d" can be "M" or None,represnet Motionsensor or None Motionsensor.

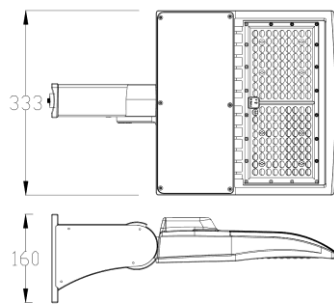
The letter "e" can be "AM","DM","YM","A&D" represent bracket type.

The letter "f" can be any two-digit number to represent CCT.

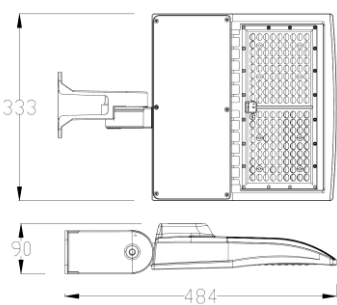
## DIMENSIONS



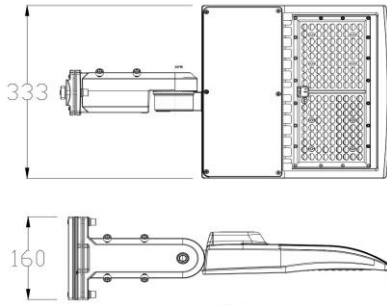
AM



DM



YM



A&D

## ADVANTAGE

- UL certificate.
- LUMILEDS Chip, high CRI.
- Mean Well IP65 driver, input voltage 100-277VAC.
- Output constant current lever can be adjusted through output cable with 1-10V.
- No UV or IR in the beam.
- Easy to install and operate.
- Energy saving, long lifespan.
- Light is soft and uniform, safe to eyes.
- Instant start, NO flickering, NO humming.
- Green and eco-friendly without mercury.

## APPLICATION

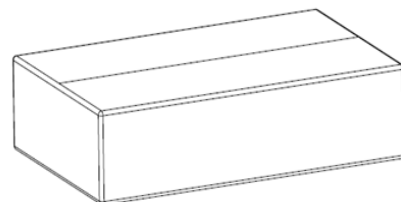
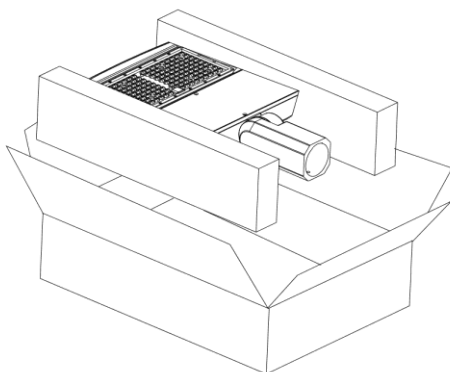
- Outdoor basketball court, tennis court.
- Badminton court, the football field.
- The school playground, stadium.
- Community leisure entertainment plaza, road lamp etc.

## SPECIFICATIONS

<b>OPTICAL</b>	Input Power	150W
	Lumen	18800-21000LM
	Lumen Efficacy	125-140 LM/W
	Color Temperature	5700K
	CRI	>70
	Viewing Angle	150*85 Degree (Type III)
<b>ELECTRICAL</b>	Input Voltage	100-277VAC 50/60Hz
	PF	≥0.9
	THD	≤20%
	Driver Model	Meanwell HLG-150H-48B
	Optional Accessory	Photocell / Surge protector/ Motion sensor
<b>MATERIALS</b>	LED Brand	LUMILEDS
	LED Type	SMD3030
	LED QTY	154 PCS
	Housing	Aluminum Alloy
	Housing Color	Black / Brown/white/Customized
	Waterproof Rating	WET (IP65)
<b>OTHERS</b>	Operating Temperature	-20°C TO 45°C
	Operating Humidity	20%-90% RH
	Storage Temperature	-30°C TO 80°C
	Storage Humidity	10%-95% RH
	Warranty Time	5 Years

## PACKAGE

Stent Type	Lamp Net Weight	Size	Qty / Carton	Gross Weight / Carton
AM	5.3 KG	585*385*160 MM	1 PC	6.2KG
DM	5.8KG	585*385*160 MM	1 PC	6.7 KG
YM	4.9 KG	585*385*160 MM	1 PC	5.8KG
A&D	6.2KG	585*385*160 MM	1 PC	7.1 KG



## LIGHT DISTRIBUTION TESTING PARAMETERS

### Luminaire Property

Luminaire Manufacturer:

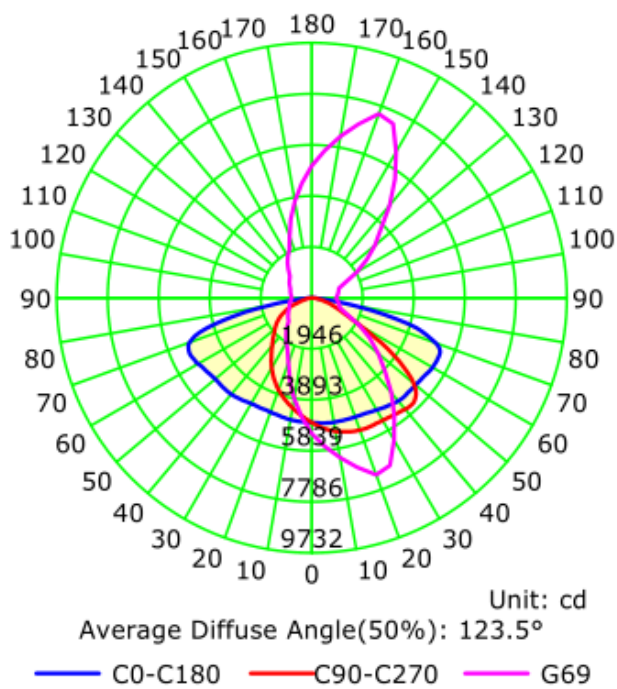
Voltage: 119.6 V

Power: 156.41 W

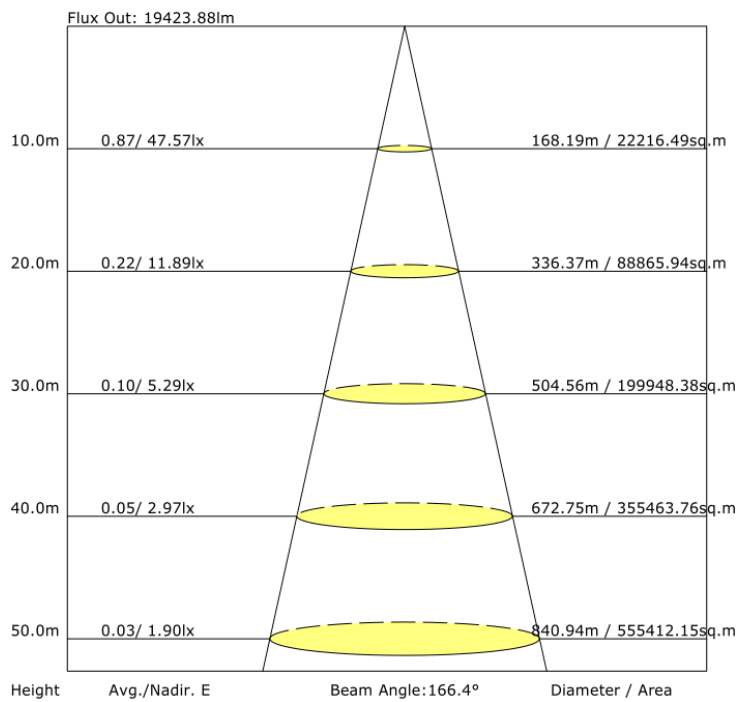
Current: 1.3064 A

Power Factor: 0.9977

Luminous Intensity Distribution Curve



The Average Illuminance Effective Figure



## NOTICE FOR USER

- Please turn off power before install or change assembly parts.
- The input voltage and lamps should be matched, after connecting the power line, Please make sure the wiring section is insulated.
- No-professionals, must not install and disassemble the lamps.

## TROUBLE SHOOTINGS

Troubles	Check points
Flickering of the light	Turn off the power and turn on again in 3 minutes. If same phenomena occur, then call agencies.
Out of working	Please check the connection.