

# LED UFO High Bay Light-2

Outdoor/Indoor High Bay Light



OVERVIEW	
Lumen Output Range	20768.5 - 34612.5
Wattage Range	150W - 240W
Efficacy Range (LPW)	136 - 143
Weight lbs (kg)	9.3(4.2)-12.3(5.6)

## QUICK LINKS

[Ordering Guide](#)
[Performance](#)
[Photometrics](#)
[Dimensions](#)

## FEATURES & SPECIFICATIONS

### Construction

- Rugged die-cast aluminum housing for maximum durability and reliability.
- IP65 rated luminaire protects integral components from harsh environments.
- Shipping weight: 9.3 lbs to 12.3 lbs in carton.

### Optical System

- Premium engineered IP65 rated acrylic optic assemblies deliver 110degree distributions.
- Available in 5700k,5000k and 4000k color temperatures per
- Minimum CRI of 80.

### Electrical

- High-performance driver features short circuit and over temperature protection with integral surge protection (4kV).
- 0-10V dimming (0% - 100%) standard.
- Standard Universal Voltage (120-277 VAC) Input 50/60 Hz.
- Total harmonic distortion: <10%
- Operating temperature: -40°C to +50°C (-40°F to +122°F).

- Power factor: >0.90
- Input power stays constant over life.
- Optional 10KV surge protection device meets a minimum.
- High-efficacy LEDs mounted to metal-core circuit board to maximize heat dissipation.

### Controls

- IMotion sensor.

### Installation

- Mounting method ships together and can be installed quickly.
- Wiring leads extended out of the main housing eliminating the need of opening the luminaire electrical chamber.

### Warranty

- Luminaires carry a 5-year limited warranty. Complete warranty terms are located on our website.

### Listings

- Listed to UL.
- Suitable for wet Locations.
- IP65 rated Luminaire per.
- DesignLights Consortium® (DLC) qualified product.

# LED UFO High Bay Light-2

## ORDERING GUIDE

[Back to Quick Links](#)

 TYPICAL ORDER EXAMPLE: **UFO 02 LED 150 57K UNV DIM BLK**

Luminaire Prefix	Light Source	Power&Lumen	Color Temp
<b>UFO02 - UFO High Bay 02</b>	<b>LED</b>	<b>150</b> - 20768.5-21596 lms <b>200</b> - 28221-29164 lms <b>240</b> - 32978-34612 lms	<b>57k</b> -5700k <b>50k</b> -5000k <b>40k</b> -4000k

Voltage	Driver	Finish	Options	Controls (Choose One)
<b>UNV</b> - Universal Voltage (120-277V) <b>480</b> - High Power (277-480V)	<b>DIM</b> - 0-10V Dimming(0-100%)	<b>BRZ</b> -Bronze <b>WHT</b> -White <b>Option</b> -Custom Color	<b>(Blank)</b> - None <b>SPD</b> - 10kV Surge Protection Device	

## PERFORMANCE

[Back to Quick Links](#)

DELIVERED LUMENS*											
Wattage	Distribution	CRI	5700K			5000K			4000K		
			Delivered Lumens	Efficacy	BUG Rating	Delivered Lumens	Efficacy	BUG Rating	Delivered Lumens	Efficacy	BUG Rating
150w	110degree	80	21,596.3	143.05	B4-U3-G3	21182.4	140.11	B4-U3-G3	20768.5	137.19	B4-U3-G3
200w	110degree	80	29,164.1	142.87	B4-U3-G3	28692.5	140.16	B4-U3-G3	28221.0	137.47	B4-U3-G3
240w	110degree	80	34,612.5	142.14	B5-U3-G4	33795.4	139.08	B5-U3-G4	32978.2	136.00	B5-U3-G4

\*LEDs are frequently updated therefore values are nominal.

\*For other power and lens degree, pls contact sales

ELECTRICAL DATA*				
Wattage	120V	208V	240V	277V
150w	1.25	0.72	0.63	0.54
200w	1.67	0.96	0.83	0.72
240w	2.00	1.15	1.00	0.87

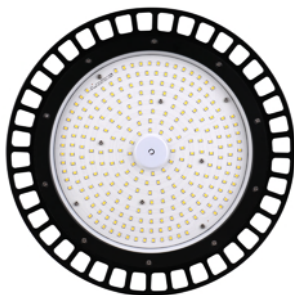
\*Electrical data at 25C (77F). Actual wattage may differ by +/-0.3%.

RECOMMENDED LUMEN MAINTENANCE (20L-34L)					
Ambient Temperature °C	Cinitial <sup>2</sup>	3K hrs. <sup>2</sup>	5K hrs. <sup>3</sup>	7K hrs. <sup>3</sup>	10K hrs. <sup>3</sup>
1C-85C	100%	99.48%	98.98%	98.60%	98.17%

1 - Lumen maintenance values at 25C are calculated per TM-21 based on LM-80 data and in-situ testing.

2 - In accordance with IESNA TM-21-11, Projected Values represent interpolated value based on time durations that are within six times the IESNA LM-80-08 total test duration for the device under testing.

3 - Lumen maintenance values at 25C are calculated per TM-21 based on LM-80 data and in-situ testing times the IESNA LM-80-08 total test duration for the device under testing.



# LED UFO High Bay Light-2

[Back to Quick Links](#)

## PHOTOMETRICS

Luminaire photometry has been conducted by an accredited laboratory in accordance with IESNA LM-79. As specified by IESNA LM-79 the entire luminaire is tested as the source resulting in a luminaire efficiency of 100%.

### UFO02 150W

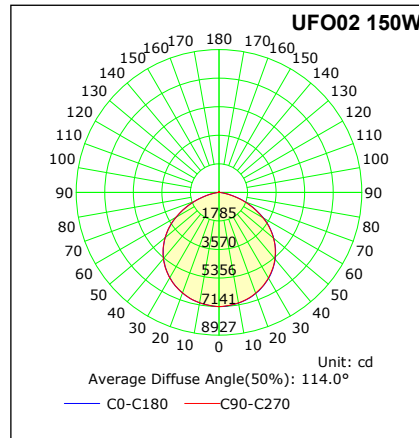
#### LUMINAIRE DATA

110degree Distribution	
Description	4000 Kelvin, 80 CRI
Delivered Lumens	20,766
Watts	150W
Efficacy	137
IES Type	110degree
BUG Rating	B4-U3-G3

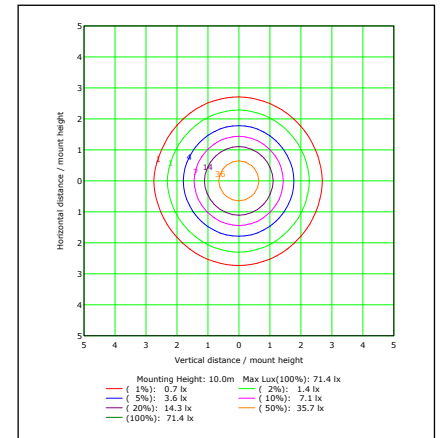
#### Zonal Lumen Summary

Zone	Lumens	%Luminaire
Low (0-30)°	5,811.20	28.00%
Medium (0-60)°	17,049.30	82.10%
High (60-90)°	3,612.80	17.40%
Very High (70-100)°	1,199.90	5.80%
Uplight (90-120)°	0	0%
Total Flux	20,766.20	100%

#### Luminous Intensity Distribution Curve



#### ISO FOOTCANDLE



### UFO02 200W

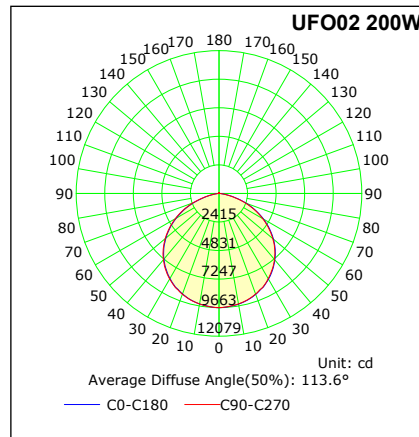
#### LUMINAIRE DATA

110degree Distribution	
Description	4000 Kelvin, 80 CRI
Delivered Lumens	28,218
Watts	200W
Efficacy	137
IES Type	110degree
BUG Rating	B4-U3-G3

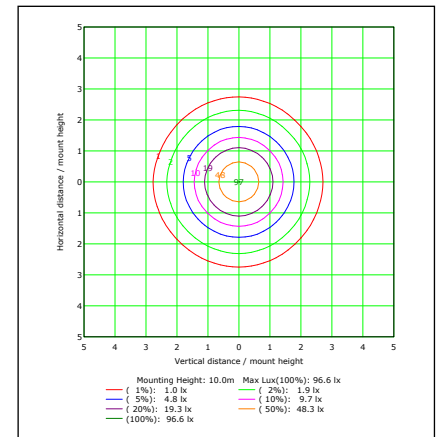
#### Zonal Lumen Summary

Zone	Lumens	%Luminaire
Low (0-30)°	7,867.10	27.90%
Medium (0-60)°	23,016.20	81.60%
High (60-90)°	5,074.60	18.00%
Very High (70-100)°	1,722.60	6.10%
Uplight (90-120)°	0	0%
Total Flux	28,218.00	100%

#### Luminous Intensity Distribution Curve



#### ISO FOOTCANDLE



### UFO02 240W

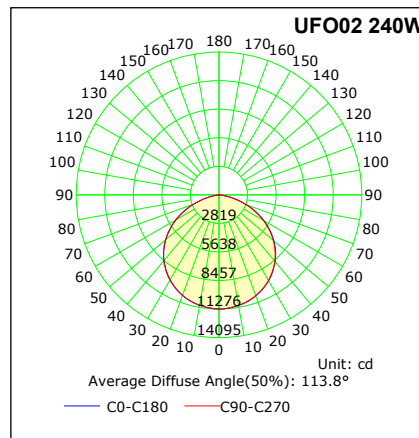
#### LUMINAIRE DATA

110degree Distribution	
Description	4000 Kelvin, 80 CRI
Delivered Lumens	32,975
Watts	240W
Efficacy	136
IES Type	110degree
BUG Rating	B5-U3-G4

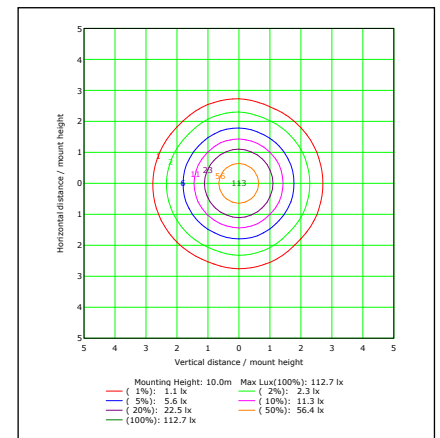
#### Zonal Lumen Summary

Zone	Lumens	%Luminaire
Low (0-30)°	9,178.10	27.80%
Medium (0-60)°	26,883.70	81.50%
High (60-90)°	5,934.60	18.00%
Very High (70-100)°	2,011.20	6.10%
Uplight (90-120)°	0	0%
Total Flux	32,974.60	100%

#### Luminous Intensity Distribution Curve



#### ISO FOOTCANDLE

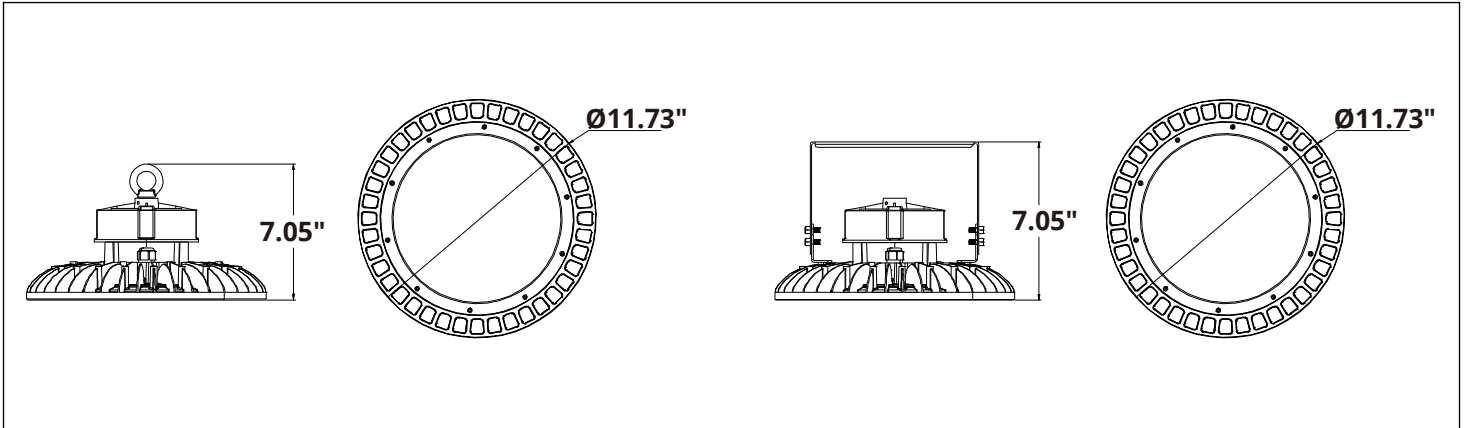


# LED UFO High Bay Light-2

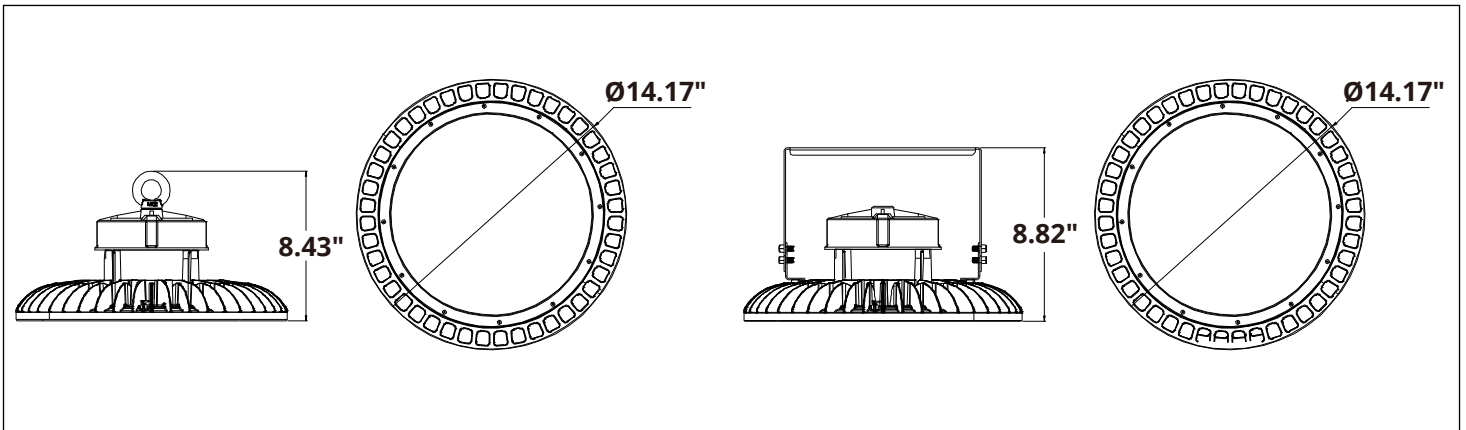
## PRODUCT DIMENSIONS

[Back to Quick Links](#)

### 150W



### 200W,240W



## ACCESSORIES

[Back to Quick Links](#)


## PACKAGE

[Back to Quick Links](#)

Power	Items	Size	Qty/ Carton	Lamps Net Weight	Weight/ Carton
150w	Outer box	14.1x14.1x7.7 inch	1 PC	7.04 lbs	9.24 lbs
200w	Outer box	14.1x14.1x7.7 inch	1 PC	9.46 lbs	11.88 lbs
240w	Outer box	16.5x16.5x8 inch	1 PC	9.9 lbs	12.32 lbs

Tolerance of Carton Size: ±15 MM, Tolerance of Weight: ±10%.