



ASmart LIGHT CO., LIMITED  
 E-mail: sales@asmart-light.com  
 www.asmart-light.com



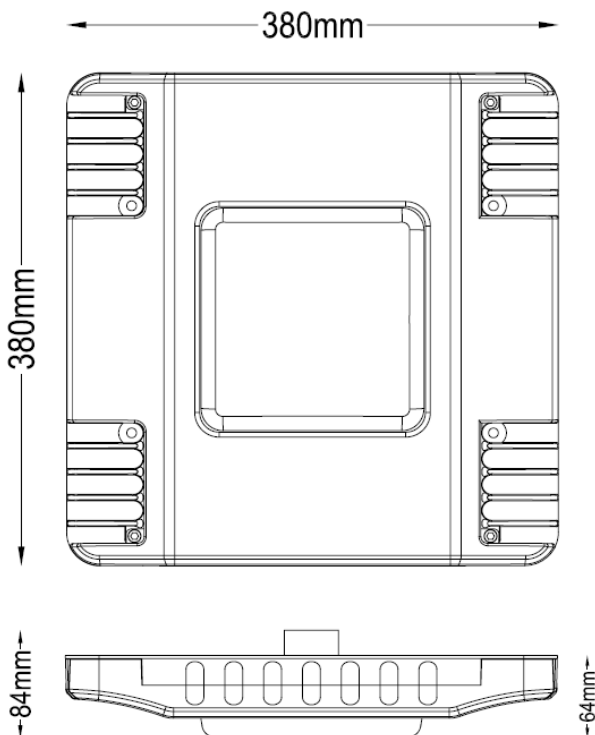
**P/N: AST-CP3-150WSXYA2-aaK**

**Note:**

- AST= Company name.
- CP3 = Product series, LED Canopy Light.
- 150W = Rating Power.
- S=Driver manufacturer, SOSEN
- X=Cover type .striped lens.
- Y= LED manufacturer, Hongli 2835.
- A2 = Version number.
- aaK= CCT for 4000K~5700K



**DIMENSIONS**



**ADVANTAGE**

- UL certificate.
- IP65 driver, input voltage 100-277VAC.
- No UV or IR in the beam.
- Easy to install and operate.
- Energy saving, long lifespan.
- Light is soft and uniform, safe to eyes.
- Instant start, NO flickering, NO humming.
- Green and eco-friendly without mercury.

**APPLICATION**

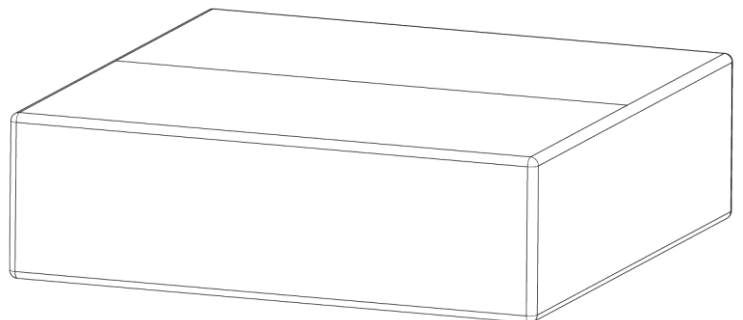
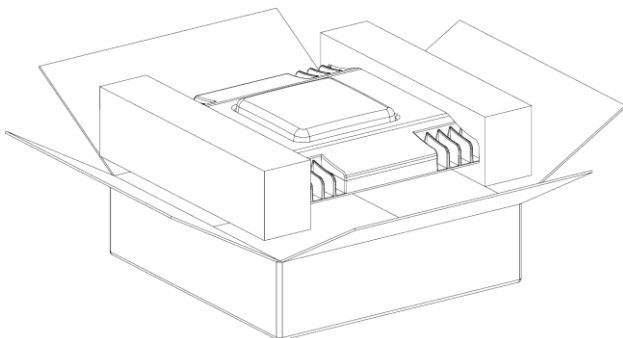
- Widely used in gas station, service station, underground parking lot, warehouse, garage;
- Work floor, factory and so on.

## SPECIFICATIONS

<b>OPTICAL</b>	Input Power	150W
	Lumen	14600-15400 LM
	Lumen Efficacy	100-105 LM/W
	Color Temperature	4000K, 4500K, 5000K, 5700K
	CRI	>80
	Viewing Angle	110 Degree
<b>ELECTRICAL</b>	Input Voltage	100-277VAC 50/60Hz
	PF	≥0.9
	THD	≤20%
	Driver Brand	China Brand Driver
<b>MATERIALS</b>	LED Type	SMD2835 (0.5W)
	LED QTY	465 PCS
	Housing	Aluminum Alloy
	Housing Color	White
	Cover	Stripe lens
	Waterproof Rating	WET (IP65)
<b>OTHERS</b>	Operating Temperature	-20°C TO 45°C
	Operating Humidity	20%-90% RH
	Storage Temperature	-30°C TO 80°C
	Storage Humidity	10%-95% RH
	Warranty Time	5 Years

## PACKAGE

	Size	Qty / Carton	Net Weight / Carton	Gross Weight / Carton
Outer box	425*420*120 MM	1 PC	6.2 KG	7.2 KG



## LIGHT DISTRIBUTION TESTING PARAMETERS

### Luminaire Property

Luminaire Manufacturer:

Voltage: 119.8 V

Power: 141.11 W

Current: 1.1853 A

Power Factor: 0.9921

### Photometric Results

IES Classification: Type II

Total Rated Lamp Lumens: 14370.3 lm

Efficiency: 100%

Upward Ratio: 1%

Central Intensity: 5084.55 cd

Pos of Max. Intensity: H112.5 V3

Longitudinal Classification: Very Short

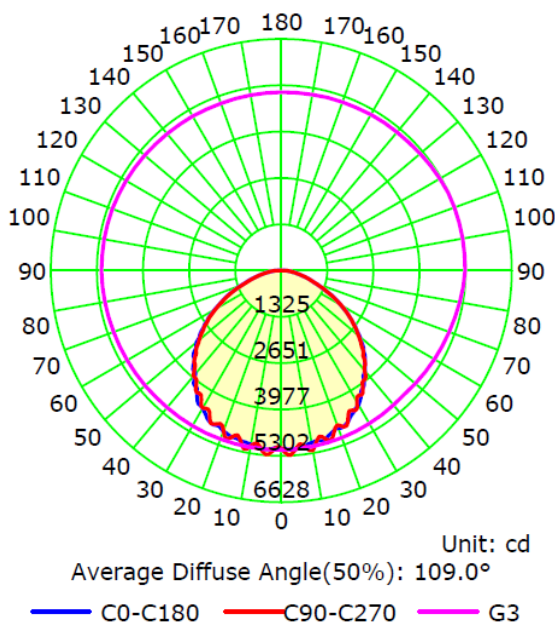
Measurement Flux: 14370.3 lm

Downward Ratio: 99%

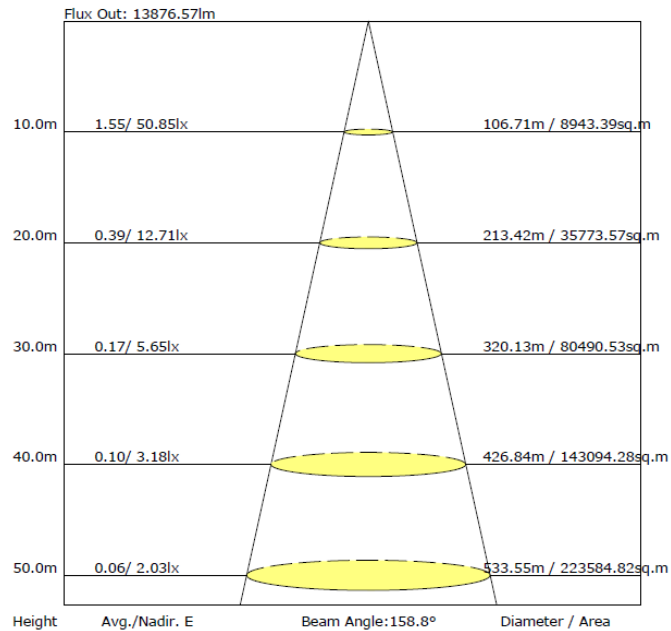
Luminaire Efficacy Rating (LER): 101.84

Max. Intensity: 5302.8 cd

Luminous Intensity Distribution Curve



The Average Illuminance Effective Figure



### NOTICE FOR USER

- Please turn off power before install or change assembly parts.
- The input voltage and lamps should be matched, after connecting the power line, Please make sure the wiring section is insulated.
- No-professionals, must not install and disassemble the lamps.

### TROUBLE SHOOTINGS

Troubles	Check points
Flickering of the light	Turn off the power and turn on again in 3 minutes. If same phenomena occur, then call agencies.
Out of working	Please check the connection.