



BRIGHT LED

E-mail: sales@brightledtx.com

info@brightledtx.com

P/N: BRT-FWP01-80CT4B1-**abcd**

Note:

The letter "a" can be any two letters to represent housing colors

The letter "b" can be "S" or blank to represent Surge-Protective Device or None Surge-Protective Device;

The letter "c" can be "P" or blank to represent Photocontroller or None Photocontroller

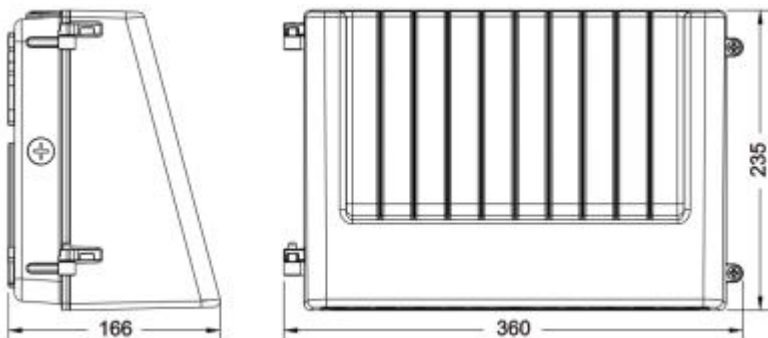
The letter "d" can be any two-digit number to represent CCT.



ADVANTAGE

- UL certificate;
- IP65 Internal driver, Input voltage 100-277Vac;
- No UV or IR in the beam;
- Easy to install and operate;
- Energy saving, long lifespan;
- Instant start, NO flickering, NO humming;
- Green and eco-friendly without mercury;
- Output constant current lever can be adjusted through output cable with 1-10V.

DIMENSIONS



APPLICATION

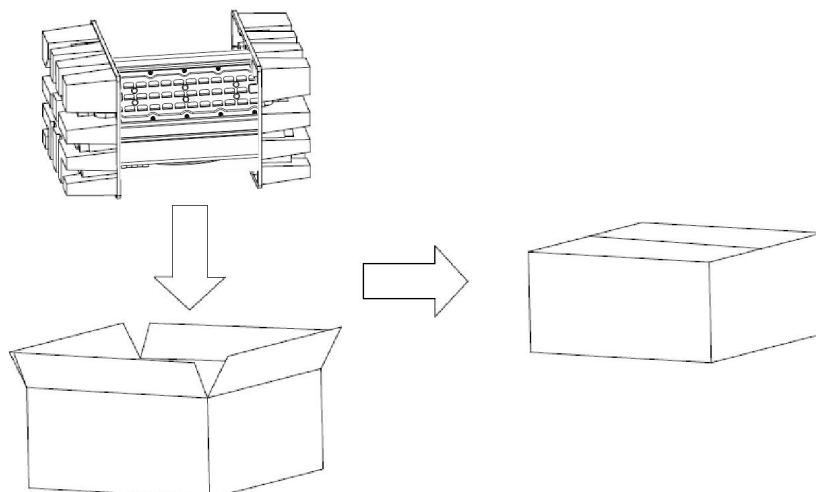
- ◆ Entrance lighting, courtyard lighting;
- ◆ Industrial lighting, outdoor landscape lighting;
- ◆ Building, the hotel;
- ◆ Wall lighting area and so on

SPECIFICATIONS

OPTICAL	Input Power	80W
	Lumen	9600-9950 LM
	Lumen Efficacy	120-125 LM/W
	Color Temperature	4000K, 4500K, 5000K, 5700K
	CRI	>70
	Viewing Angle	150*90 Degree
ELECTRICAL	Input Voltage	100-277VAC 50/60Hz
	PF	≥0.9
	THD	≤20%
	Driver Model	China Brand Driver SS-75H-48B
MATERIALS	LED Type	SMD 3030
	LED QTY	80 PCS
	Housing	Aluminum(ADC12) +PC
	Housing Color	Brown, Other colors
	Waterproof Rating	WET (IP65)
	Optional Accessory	Photocell / Surge protector
OTHERS	Operating Temperature	-40°C TO 45°C
	Operating Humidity	20%-90% RH
	Storage Temperature	-40°C TO 80°C
	Storage Humidity	10%-95% RH
	Warranty Time	5 Years

PACKAGE

	Size	Qty / Carton	Net Weight / Carton	Gross Weight / Carton
Outer box	400*300*230 MM	1 PC	3.4 KG	4.3 KG



LIGHT DISTRIBUTION TESTING PARAMETERS

Luminaire Property

Luminaire Manufacturer:
 Voltage: 119.8 V
 Power: 81.06 W

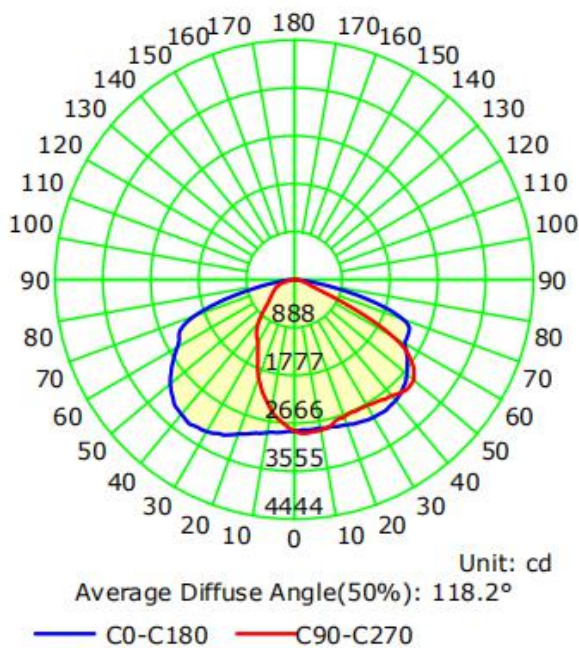
Current: 0.6775 A
 Power Factor: 0.997

Photometric Results

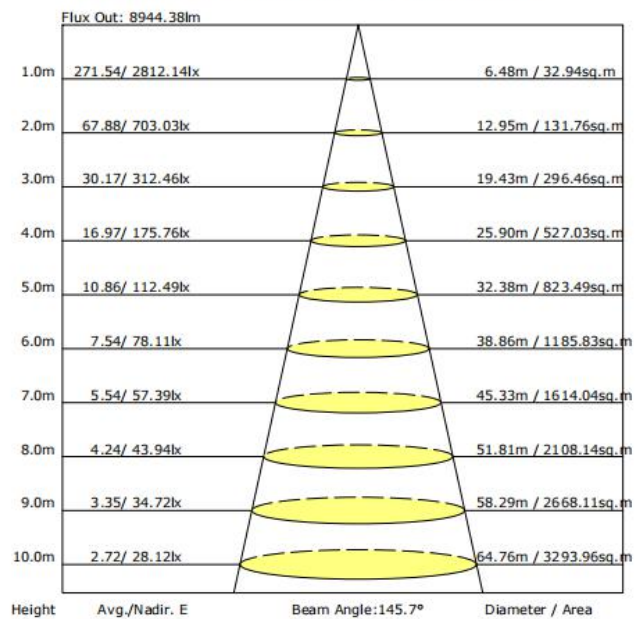
IES Classification: Type IV
 Total Rated Lamp Lumens: 9803.6 lm
 Efficiency: 100%
 Upward Ratio: 0%
 Central Intensity: 2812.14 cd
 Pos of Max. Intensity: H157.5 V70

Longitudinal Classification: Medium
 Measurement Flux: 9803.6 lm
 Downward Ratio: 100%
 Luminaire Efficacy Rating (LER): 120.94
 Max. Intensity: 3555.81 cd

Luminous Intensity Distribution Curve



The Average Illuminance Effective Figure



NOTICE FOR USER

- Please turn off power before install or change assembly parts.
- The input voltage and lamps should be matched, after connecting the power line, Please make sure the wiring section is insulated.
- No-professionals, must not install and disassemble the lamps.

TROUBLE SHOOTINGS

Troubles	Check points
Flickering of the light	Turn off the power and turn on again in 3 minutes. If same phenomena occur, then call agencies.
Out of working	Please check the connection.